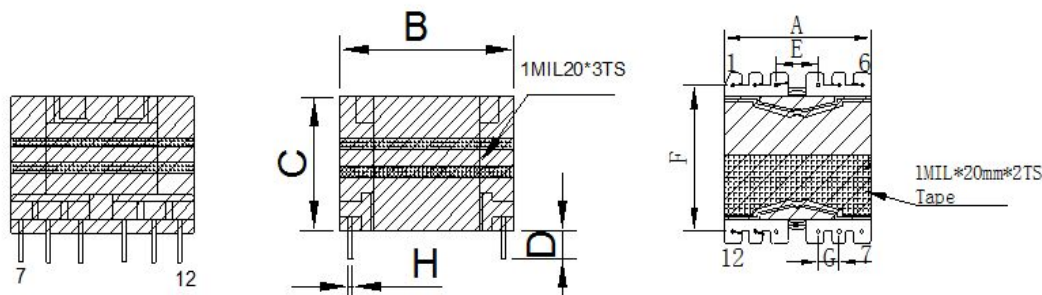


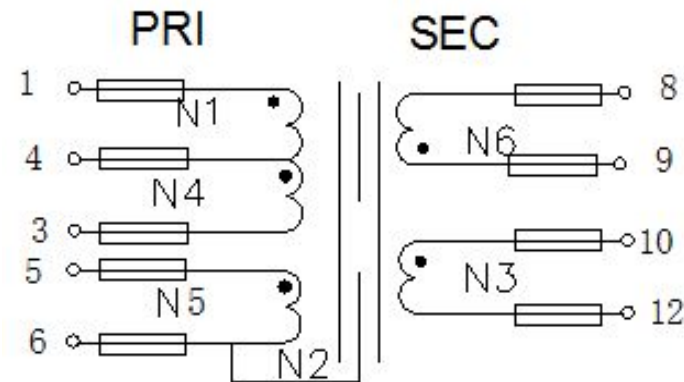
CUSTOMER TERMINAL	ROHS	Lead(Pb)-free
	YES	YES

1.Mechanical Dimensions



A	29.5	MAX
B	30.5	MAX
C	23.5	MAX
D	3.5	±0.5
E	7.6	±0.3
F	25.4	±0.4
G	3.8	±0.3
H	0.60	±0.1

2.Schematic Diagram



3.Material List

Core:FW95 PQ2620

Bobbin:FWB2601(6+6PIN)

Wire:2UEW TIW

Copper foil: 0.025t*8.0mm

Operating Temperature: -30 to115 °C

4.Electrical Specification

Inductance: L(1-3):1.35mH±5% 40KHZ , 1V

Leakage Inductance : 12uH MAX 40KHZ , 1V

DCR:(1-3)=1.0ΩMAX (7-9)=0.5ΩMAX

Hi-Pot:P-S: AC 60Hz 4000V 2.0mA 3S

S-CORE: AC 60Hz 4000V 2.0mA 3S

REV.	DATE	<p>Convention Placement</p>	DRW.	Drawing Title:	Part No:		
0	00/00		CHK.			TRANSFORMER	FWPTPQ2620V132J-1
			APP.			Customer P/N	Specification Sheet 1of 1
ROHS		www.ferriwo.com					